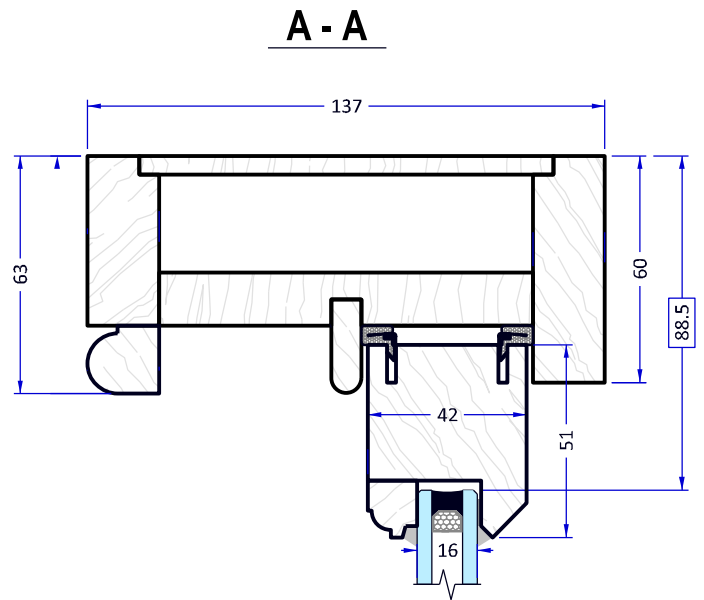
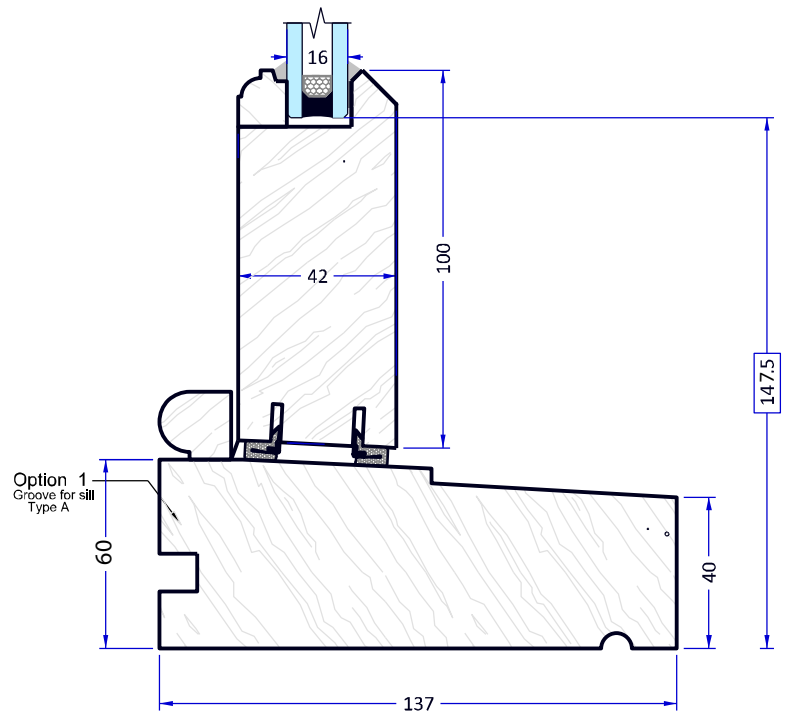
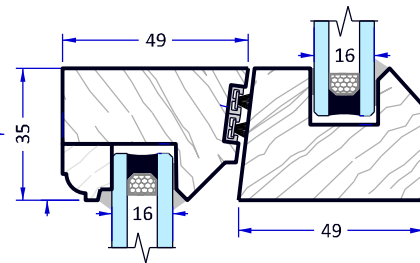


View from outside



Meeting rail 35 (possible 40;45)



Scale		Date			Page	Pages
1 : 2	DWORKS	2020 05-06	rew. 1	137 mm. Sash Window with spiral balances. Sil 60 mm.		